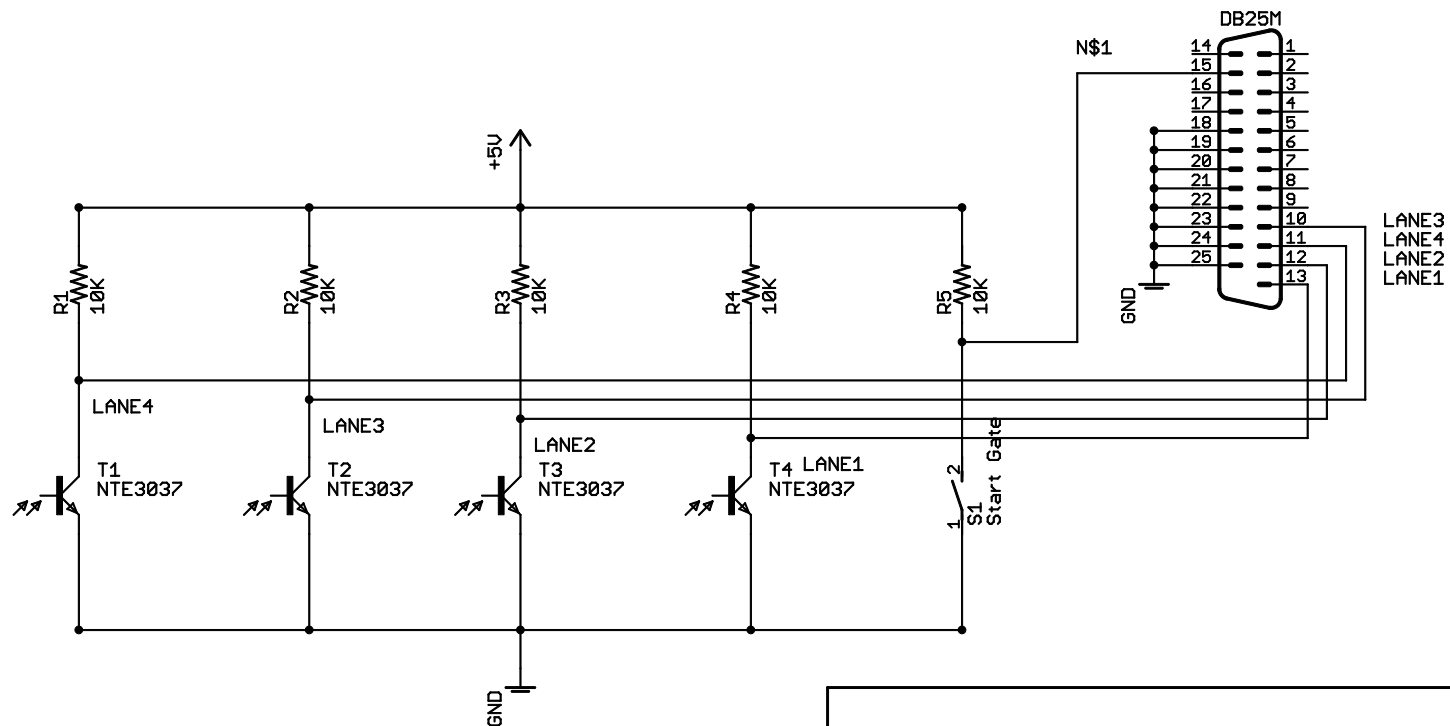


Use a 5 volt regulated power supply or build the power supply circuit shown at left and use an unregulated source such as a 9 volt battery or a wall wart



Basic Pinewood Timer Schematic

TITLE: GenericPinewoodTimer

Document Number:

REV:
1.2

Date: 3/09/2005 09:53:58p

Sheet: 1/1